

HiFinity

Magnetic Slider



Reynaers
Aluminium

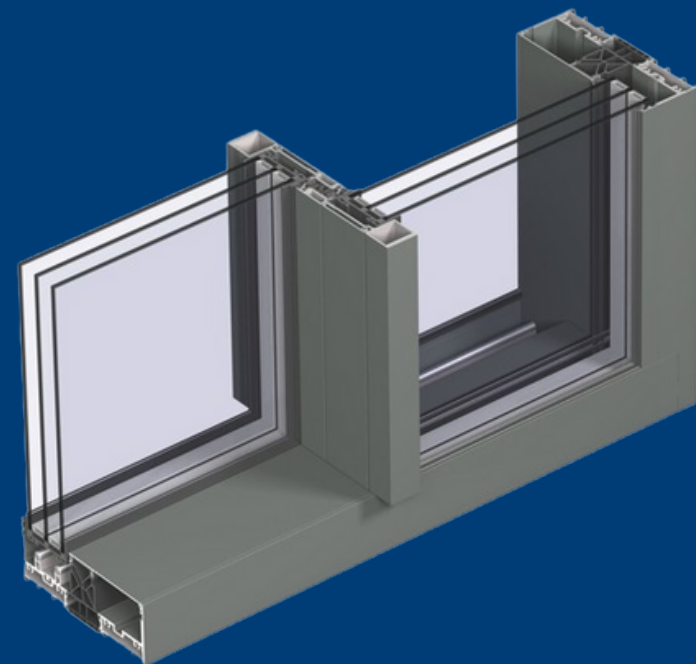
HiFinity Magnetic Slider

Elegance, technology, light

HiFinity Magnetic Slider is an innovative sliding door system designed for maximum user comfort and exceptional durability.

This innovative system allows sash weights of up to **600 kg to be moved - twice the weight of a traditional solution**. The application of magnets reduces the forces required to operate the sash by up to 50% in comparison with standard wheels, ensuring quiet and smooth work

The modern design minimizes maintenance requirements, providing a long-lasting, hassle-free solution. Furthermore, this system is easily retrofittable into existing HiFinity installations.



HiFinity Magnetic Slider

Product options and parameters

Canceled Drainage

This option eliminates the need for extra caps, providing a seamless and discreet solution.

Mosquito

Enjoy summer evenings without uninvited guests.

Glass Corner

The perfect option for joining two glass panes without obstructing the view.

Access Control

Enjoy smart, interactive control with personalized settings that let you monitor and unlock your doors remotely, from anywhere.

TECHNICAL PARAMETERS

 Thermal insulation (Uw)

up to 0.8 W/m²K

 Acoustic performance (Rw (C; Ctr))

46 (-1;-3) dB

 Air tightness

up to 600 Pa (class 4)

 Wind load resistance

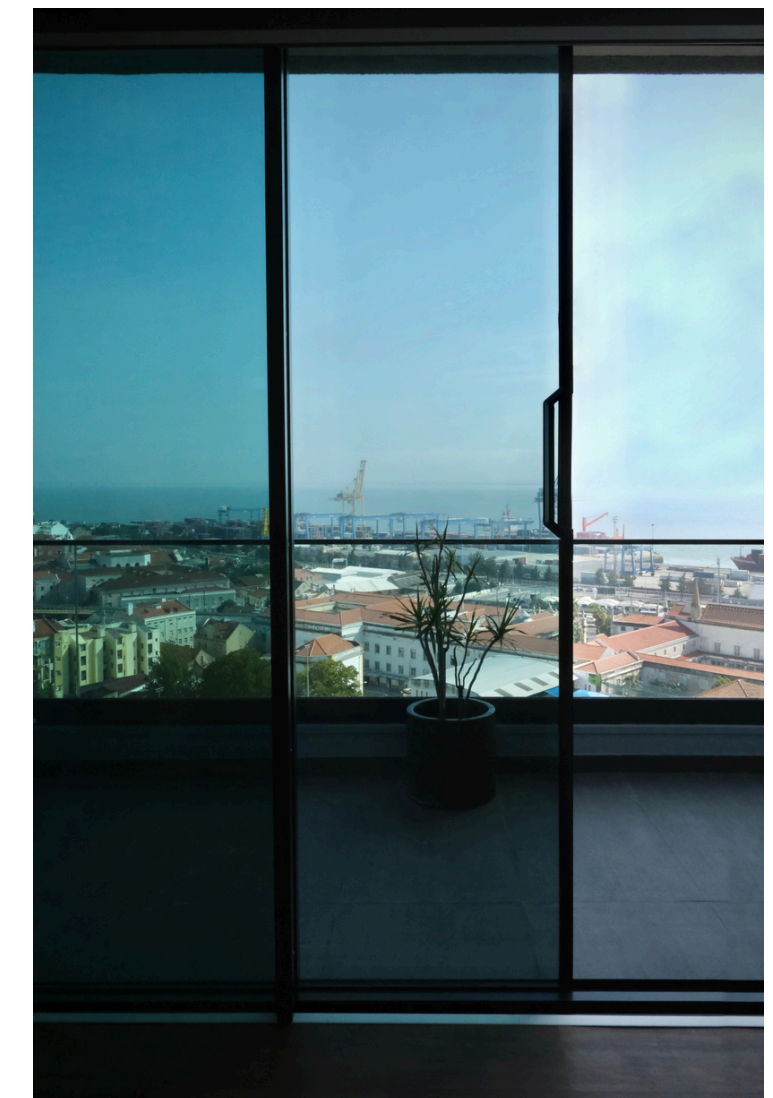
up to 2000 Pa (class C5)

 Water tightness

up to 750 Pa (class E750)

 Burglar resistance

RC 2



A large, stylized white letter 'R' is centered within a white square border. The 'R' has a thick, modern font style with a curved top and a vertical stem.

Reynders
Aluminium